

INTRODUCTION

Long life and high brightness Low power consumption and easy to handle, Environment friendly, Safety and easy to install.

1. Base type:G5.3 base
2. Energy-saving and environment-friendly
3. Full range of colors: cool white, warm white, red, blue, green and yellow
4. Superior thermal management with internal aluminium PCB Board and external aluminum housin
5. Light source:4pcs 1W high power LED
6. Temperature:-20°C ~ 50°C degrees celsius
7. Brightness degradation:3%-5%1kh
8. Lifespan: 35,000 hours
9. No UV or IR radiation



APPLICATIONS

Widely used for decoration field such as super market, Hotel, tavern, meeting-room, exhibition hall, show window, Disco, karaoke singing-hall, house decoration and etc. Replacement bulbs for general lighting, especially for museums Art galleries, cosmetic counter and etc.

NAMING RULES

Krylux 16 -CO5 -XX

- Low cost series
- Product category: LED high-power MR16
- Power Consumption
- Color : BH, BC, BN, BF, RO, VE, AB, AZ



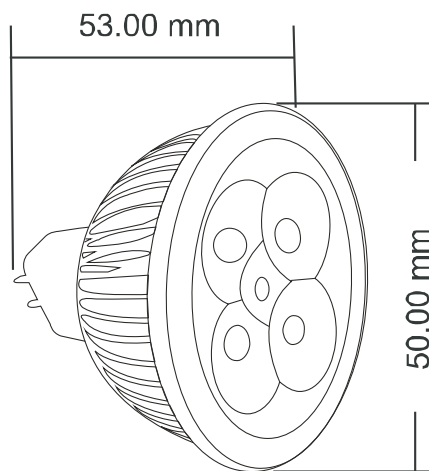
SPECIFICATIONS

Model No.	KRYLUX16-CO5xx45
LED Quantity	4pcs
Power Consumption	±5W
Input Voltage	AC12/DC12
View Angle	45 degree
Lamp base	Aluminium body/G5.3 base
Life Span	35000 Hours
Working Temperature	-20°C ~ 50°C
Humidity	20 % ~ 90 %
Color	Warm White/Cool White/Daywhite/Red/Green/Blue/Yellow
Kevin(k)	3000-3500k/4000-4500k/6000-7000k

PICTURES



ACTUAL SIZE



PACKING INFORMATION

The diagram illustrates the packaging process: an individual LED bulb is shown in its protective skin packing, which is then placed into a small inner box. These inner boxes are stacked into a grid. Finally, four of these inner boxes are packed into a larger outer carton labeled '200 pcs'.

Individual Net Weigh	45g
Packing Qty	200pcs/box
Net weight	9kg
Gross weight	10kg
Outside packing carton	565*290*355mm