

**SPECIFICATION FOR APPROVAL**



**KRYLUX11-1X1XX38**

**Spot Light MR11 1x1W Cree Die**

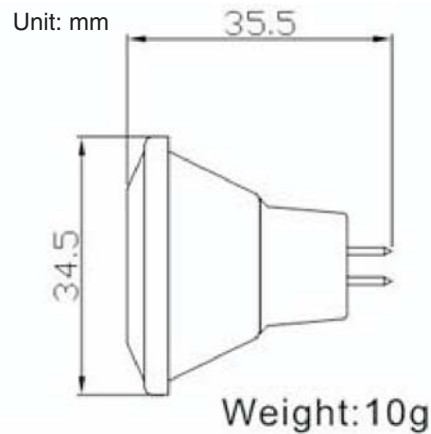
<b>Approved Signatures</b>		
<b>Quality Dept.</b>	<b>Engineering Dept.</b>	<b>Producer</b>
	 <p><small>Ribera Elorrieta, 7C 48015 - Bilbao Teléfono: 94 474 52 52 Fax: 94 475 97 10 E-mail: ukai@ukai.com</small></p>	

<http://www.ukai.com-ukai@ukai.com>

**Product Features :**

1. Unique Turbo heat sinking design leads high brightness performance .
2. Choose favorable heat sinking material to make the Al base and light body, which ensure the good ability of heat radiation.
3. Adopted the constant current power supply , apply to AC/DC 10.5-18 V adaptor or power supply .
4. Without glitter, No infrared and UV , No any damage to human body .
5. Use SMT and Eutectic technology during bonding ,which can keep no space between the Power led and heat sink base, can be enhanced the lifetime and light transmission of the Power LED
6. The professional optical lends design ,which made of high quality PMMA material ,is exclusively created of Power Led Series ,brings the light transmission rate up to 92 %

Dimension (mm):



Part No	Item	Symbol	Test Condition	Parameter	Unit
KRYLUX11-1X1BF38 KRYLUX11-1X1BC38	Forward Current	IF	AC 10.5-18V/50 Hz	250-130	mA
	Forward Voltage	VF	AC 10.5-18V/50 Hz	10.5-18	V
	Power	PD	AC 10.5-18 V/50 Hz	1.6± 0.2	W
KRYLUX11-1X1BF38	Luminous Flux	ϕ <sub>v</sub>	AC 10.5-18 V/50 Hz	60	Lm
KRYLUX11-1X1BC38	Luminous Flux	ϕ <sub>v</sub>	AC 10.5-18 V/50 Hz	40	Lm
KRYLUX11-1X1BF38	Illuminance	E	AC 10.5-18 V/50 Hz/1 m	150	Lux
KRYLUX11-1X1BC38	Illuminance	E	AC 10.5-18 V/50 Hz/1 m	120	Lux
KRYLUX11-1X1BF38	Color Temperature	T <sub>c</sub>	AC 10.5-18 V/ 50 Hz	5000-7000	K
KRYLUX11-1X1BC38	Color Temperature	T <sub>c</sub>	AC 10.5-18 V/ 50 Hz	2700-3500	K
KRYLUX11-1X1BF38	Angle		AC 10.5-18 V/50 Hz	38	Degree
KRYLUX11-1X1BC38	Angle		AC 10.5-18 V/50 Hz	38	Degree

<http://www.ukai.com-ukai@ukai.com>

	Symbol	Test Condition	Parameter	Unit
Working environment	Topr	AC 10.5-18 V/50 Hz	-25~40	°C
Storage condition	Tstg	//	-40~80	°C
Work frequency	//	AC 10.5-18 V/50 Hz	50/60	Hz

**Quality Guarantee:** 2 years

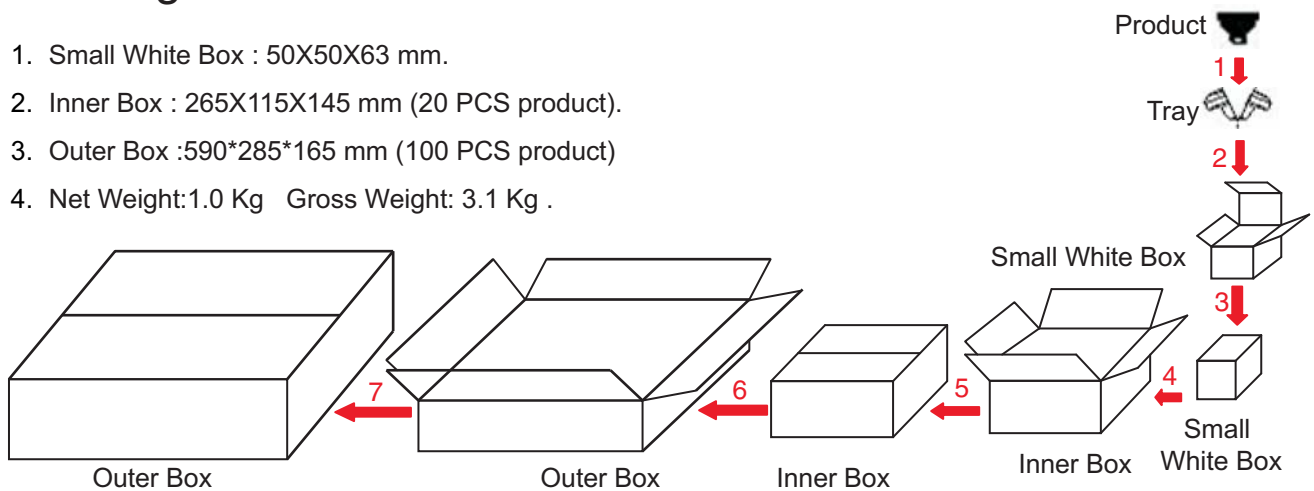
**Application:**

Widespread use in accessorial lights for indoor ,villa ,restaurant, hotel , meeting room ,show room ,shop ,telephone cabinet ,counter and so on .



**Packing :**

1. Small White Box : 50X50X63 mm.
2. Inner Box : 265X115X145 mm (20 PCS product).
3. Outer Box :590\*285\*165 mm (100 PCS product)
4. Net Weight:1.0 Kg Gross Weight: 3.1 Kg .



**Remark:**

1. Read the instruction carefully before use.
2. PLS sure the label of packing match with the actual product.
3. PLS make sure the power is off before use, PLS choose the right power supply to match the product.
4. PLS do not touch the product surface when it is lighting ,Do not see the light sources by eyes directly .
5. Indoor use only.
6. PLS do not put the product as children's toy.

<http://www.ukai.com-ukai@ukai.com>