

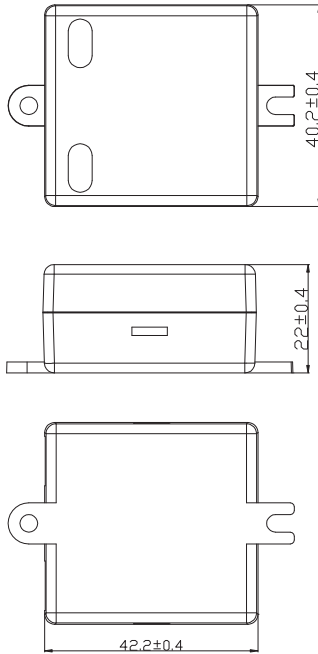
FUSCC-5-350T

INPUT VOLTAGE : 200-240VAC

CONSTANT CURRENT : 350mA DC (1W LED 1-4 PCS)

### LED POWER SUPPLY SPECIFICATION

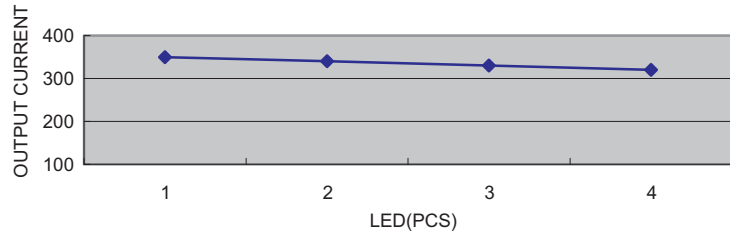
#### Drawing:



#### ELECTRONICAL SPECIFICATION

INPUT VOLTAGE : 200-240 Vac INPUT RANGE VOLTAGE 180-264 Vac  
 INPUT FREQUENCY : 50 Hz  
 INPUT CURRENT : 0.15 Amp. rms. 200 Vac at 4pcs led  
 INRUSH CURRENT : 5 Amp. peak at 200 Vac  
 Tested At Max. load 25ϕJ , Cool state  
 NO LOAD OUTPUT VOLTAGE : 18 V ± 10 % at no load  
 FULL LOAD OUTPUT VOLTAGE: LED FORWARD VOLTAEG(TYP.3V~4V)  
 FULL LOAD OUTPUT CURRENT (CONSTANT CURRENT) 350mA ± 7.5 %  
 Test at 5ϕJ cool state  
 POWER EFFICIENCY 1 : 60% Min. at 200 Vac 50 Hz, at 4pcs led  
 POWER EFFICIENCY 2 : 45% Min. at 200 Vac 50 Hz, at 1pcs led  
 OVER CURRENT PROTECTION , SHORT CIRCUIT PROTECTION

1W LED 1-4PCS VS OUTPUT CURRENT



#### MECHANICAL SPECIFICATION

DIMENSIONS: 42.2 (L) \* 40.2 (W) \* 22(H)mm (Tolerance as drawing)  
 WEIGHT: 40 g Max.  
 OPERATING TEMPERATURE: 0ϕJ To 50ϕJ  
 STORAGE TEMPERATURE: -20ϕJ To 60ϕJ  
 RELATIVE TEMPERATURE: 40ϕJ ± 2ϕJ  
 MTBF: 100,000 hrs to MIL-HDBK-217F Warranty: 2 years

Input Cable : TERMINAL

Output Cable : TERMINAL

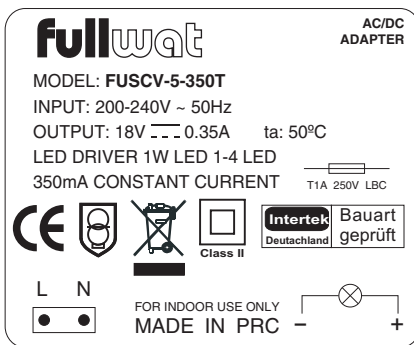
#### STANDARD

Safty:EN61558. EMC:EN55014-1,EN55014-2,EN61000-3-2,EN61000-3-3.

RELATIVE HUMIDITY 85% RH. Non-condensing

#### LABEL:

SIZE:35.5\*28.5mm

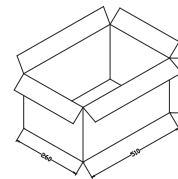
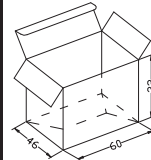


#### INNER BOX:

Material:WEB  
 BOX:60\*46\*32mm

CARTON:510\*260\*180mm

Material: K=A No Nail  
 Q'TY 200 PCS  
 N.W. : 7.4 KGS  
 G.W.: 9.2 KGS  
 MEAS: 0.85 CUFT



#### PHOTO



<http://www.ukai.com-ukai@ukai.com>