



60W Single Output Switching Power Supply LED DRIVER

FUSCC-60-70SERIES



Features :

- Constant current mode power supply
- Universal AC input/Full range
- Fully encapsulated with IP67 waterproof level
- Protections: Short circuit/Over current
- Small and compact size
- UL1310 Class 2 power unit, pass LPS
- 100% full load burn-in test
- Suitable for LED lighting and moving sign applications

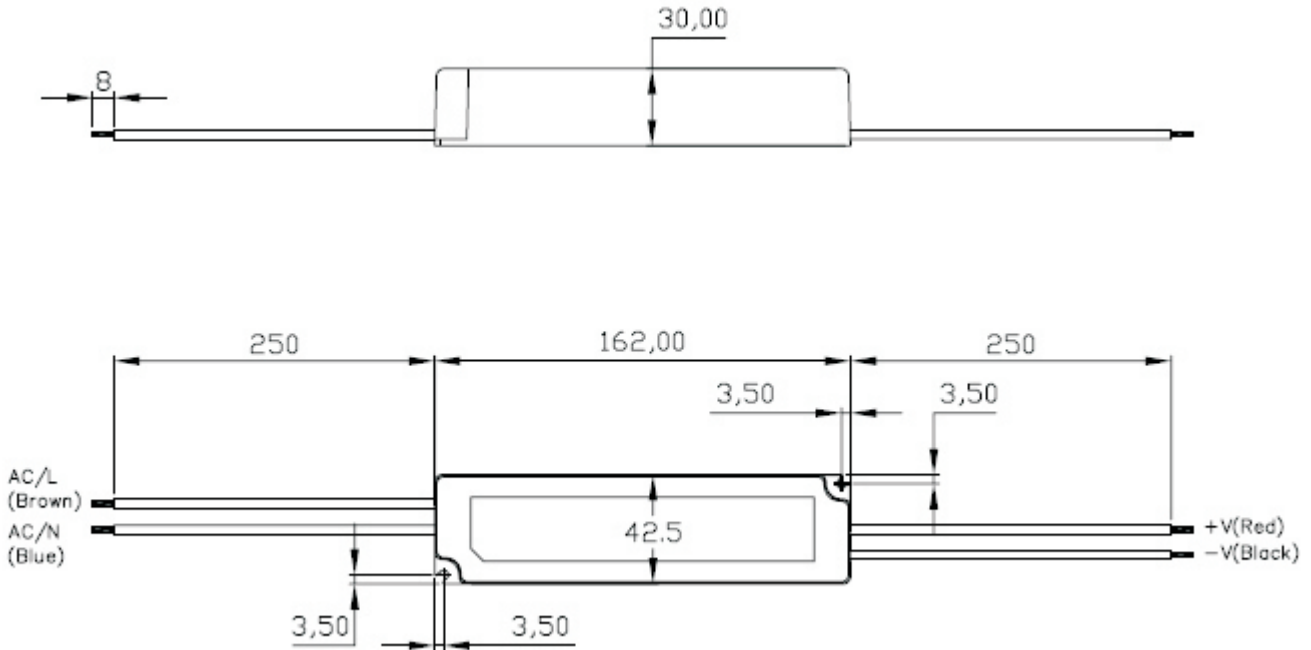
SPECIFICATION:

MODEL		FUSCC-60-1400WP	FUSCC-70-2000WP
OUTPUT	DC VOLTAGE	48V	35V
	DC VOLTAGE RANGE	9-48V	9-35V
	CURRENT RANGE	1400mA ±3%	2000mA ±3%
	RATED POWER	67.5W	70W
	RIPPLE & NOISE (max.)	200mVp-p	200mVp-p
	VOLTAGE TOLERANCE	±3.0%	
	LINE REGULATION	±1.0%	
	LOAD REGULATION	±2.0%	
	SETUP, RISE TIME	500ms,250ms/230VAC 500ms,250ms/115ac at full load	
HOLD UP TIME (Typ.)	50ms/230VAC 24ms/115VAC at full load		
INPUT	VOLTAGE RANGE	90-264VAC	
	FREQUENCY RANGE	47 ~ 63Hz	
	EFFICIENCY (Typ.)	85% full load	85% full load
	AC CURRENT	1.4A/100AC 0.7A/240AC	
	INRUSH CURRENT (max.)	COLD STAT 70A/230VAC	
	LEAKAGE CURRENT	0.25mA/240VAC	
PROTECTION	OVER CURRENT	Above 105% rated output power. Protection type: Hiccup mode, recovers automatically after fault condition is removed.	
	OVER TEMPERATURE	Tj 140°C typically(U1) Detect on main control IC Protection type: Hiccup mode, recovers automatically after temperature goes down	
ENVIRONMENT	WORKING TEMP	-10 ~ 50°C	
	WORKING HUMIDITY	20 ~ 90% RH non-condensing	
	STORAGE TEMP, HUMIDITY	-40 ~ 80°C, 10 ~ 95% RH	
	TEMP. COEFFICIENT	±0.03%/°C (0 ~ 50°C)	
	VIBRATION	10 ~ 500Hz, 2G 10min./1cycle, period for 60min. each along X,Y, Z axes	
SAFETY & EMC	SAFETY STANDARDS	Design refer to UL1310 Class 2,TUV EN60950-1, EN61347-2-13, CAN/CSAC22.2 No. 223-M91, meet IP67	
	WITHSTAND VOLTAGE	I/P-O/P:3KVAC	
	ISOLATION RESISTANCE	I/P-O/P:>100M Ohms / 500VDC / 25 ~ 70% RH	
	EMI CONDUCTION & RADIATION	Compliance to EN55022 (CISPR22) Class B	
	HARMONIC CURRENT	Compliance to EN61000-3-2,-3	
EMS IMMUNITY	Compliance to EN61000-4-2,3,4,5,6,8,11; ENV50204, EN55024, light industry level, criteria A		
DIMENSION		162*42.5*30mm (L*W*H)	

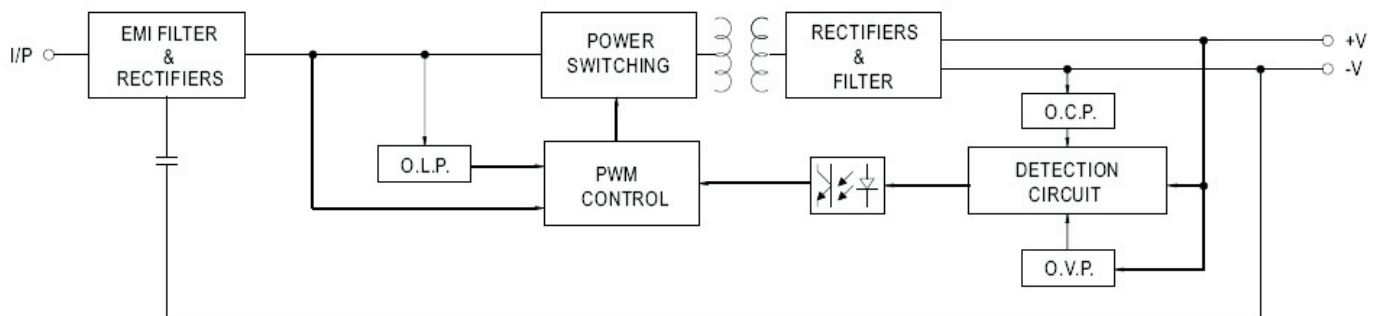
60W Single Output Switching Power Supply LED DRIVER

FUSCC-60-70SERIES

Mechanical Specification



Block Diagram



<http://www.ukai.com-ukai@ukai.com>